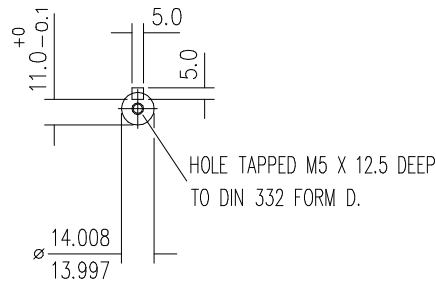
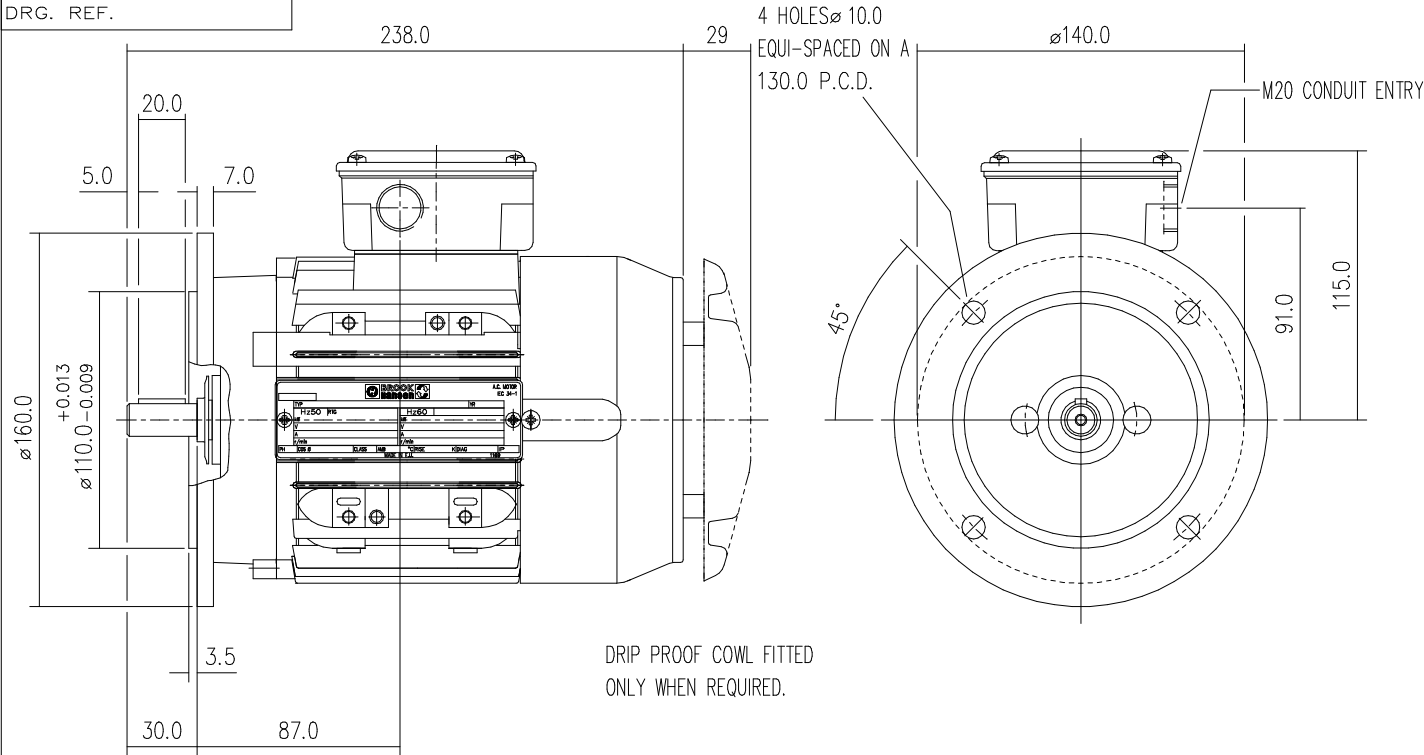


DRG. No. D71GD006/2
 DRG. REF.



TERMINAL BOX CAN BE ARRANGED IN 9 OR 6 O-CLOCK POSITIONS
 CONDUIT ENTRY CAN BE ARRANGED IN 4 ALTERNATIVE POSITIONS

CUSTOMER		
ORDER No.		
SERIAL No.		
FRAME SIZE		
KW.	RPM.	
Hz	PHASE	
VOLTS	POLES	
BRGS.	DE.	NDE.
MOTOR NETT WT.		Kg.
SPECIAL REMARKS		

ALL DIMENSIONS IN MILLIMETRES



**BROOK
 CROMPTON**

Huddersfield, HD1 3LJ
 ENGLAND

SHEET TITLE
 SIZE OUTLINE DIMENSION DRAWING TOTALLY ENCLOSED FAN COOLED D71S FRAME
 A3 ALUMINIUM 'D' FLANGE MOUNTED MOTOR.

	NAME	DATE
DRAWN	DJR	4-9-95
CHECKED	RS	4-9-95
SCALE	1:2	

DRG. No.	D71GD006/2		
DRG. REF.			
REVISION:	VLS	DATE	06-08-02